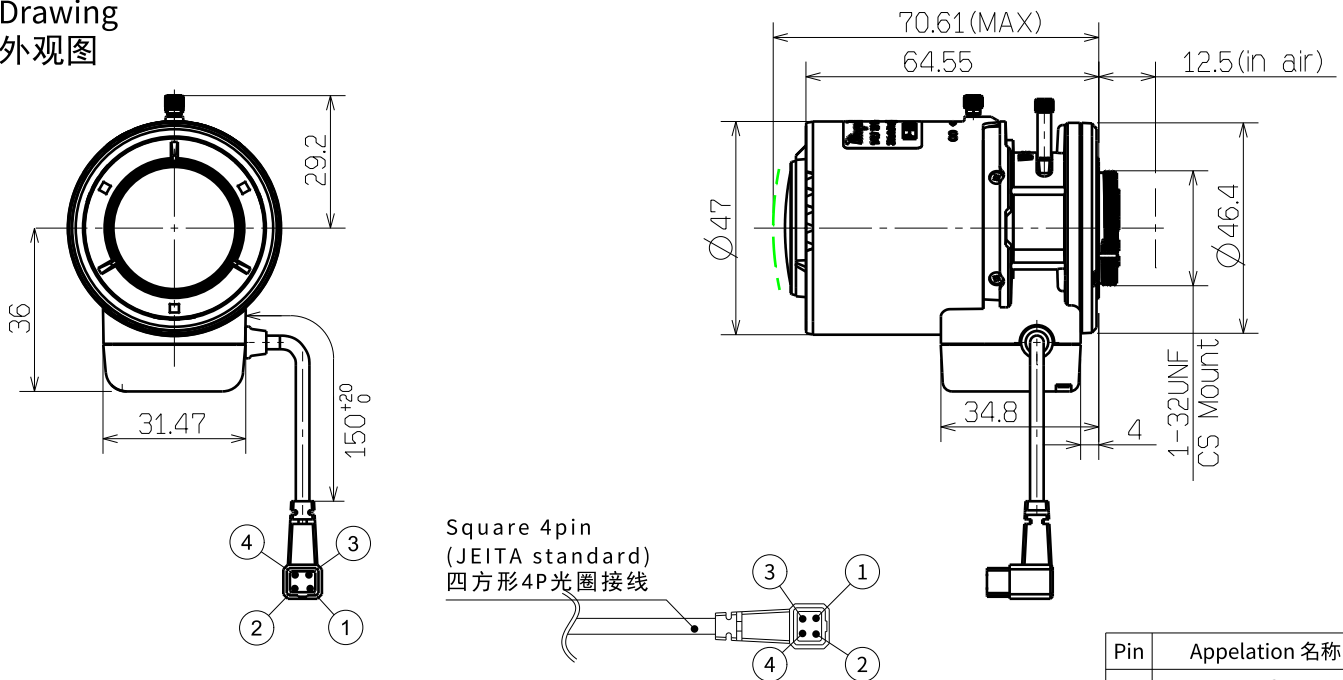


M13VP2713IR

Imager Size	芯片尺寸		1/2.7"
Mount Type	接口		CS
Focal Length	焦点距离		2.7 ~ 13 mm
Aperture Range	光圈范围		F/1.4 ~ F/360
Field of View Angle (Horizontal x Vertical) 视角(水平×垂直)	1/2.7"	Wide	125.1°×66.1°
		Tele	26.7°×15.2°
	1/3"	Wide	101.1°×73.9°
		Tele	22.3°×16.8°
Focus Range	至近距离		0.3 m ~ ∞
Operation 操作方法	Focus	调焦	Manual w/lock 付有手动锁定
	Zoom	变焦	Manual w/lock 付有手动锁定
	IRIS	光圈	P-IRIS (Stepping motor switching control) 步进电机控制开闭
Back Focal Distance	后焦点		8.42 mm (in air)
Wave Length	对应波长		Visible Light ~ Near Infrared 可视光域 ~ 近红外域
Operating Voltage	作动电压		3V~5V
Weight	质量		90g ± 5 g
Operating Temperature	动作温度范围		-20°C ~ +60°C

Drawing 外观图



※规格有可能在不另行通知的情况下更改。

Specification and design subject to change without any notice.

Pin	Appellation 名称
1	P-IRIS A+
2	P-IRIS B+
3	P-IRIS B-
4	P-IRIS A-